

PIX-VEP016-W

Wi-Fi Villa Door Station



PIXVIDEO
image without compromises

- Ultra slim design.
- PC and ABS material make it ideal for indoor and outdoor use.
- 1/2.8" 2-MP HD CMOS camera.
- Offers two-way video call with indoor monitors.
- Video and voice messages from visitors can be checked on the indoor monitor.
- Video call and unlocking through app.
- IR illumination and auto WDR.
- Wi-Fi connection.
- IP65 rated.
- H.264 and H.265.
- Unlock with IC card.
- PoE power supply.



TECHNICAL SPECIFICATION

System

Main Processor	Embedded Processor
Button Type	Mechanical
Interoperability	ONVIF; CGI
Network Protocol	RTSP; DNS; P2P; UPnP; RTP; RTMP; SIP; SSH; HTTP/HTTPS; ONVIF

Basic

Camera	1/2.8" CMOS 2-MP HD camera
Field of View	H: 110°; V: 62°; D: 133°
WDR	120 dB
Noise Reduction	3D NR; 2D NR
Video Compression	H.264; H.265
Video Resolution	Main stream: 720p, WVGA, D1, and CIF; Sub stream: 1080p, WVGA, D1, QVGA, and CIF
Video Frame Rate	PAL: 25 fps NTSC: 30 fps
Video Bit Rate	768 kbps–8 Mbps
Light Compensation	Auto IR
Day/Night	Auto (ICR)/Color/B/W; Color/B/W
Audio Compression	G.711a; G.711u; PCM

Audio Input	1
Audio Output	Built-in speaker
Audio Mode	Two-way audio
Audio Enhancement	Echo suppression/digital noise reduction; Echo suppression; Digital noise reduction
Audio Bit Rate	16 kHz, 16 bit

Basic

Communication Mode	Full digital
Unlock Mode	Card; app; indoor monitor
Card Type	IC card
Auto Snapshot	Yes (SD card is inserted in the indoor monitor or door station)
Leave Videos	Yes (SD card inserted in VTH/VTO is needed)
Web Configuration	Yes
Wi-Fi	Yes
Wireless Standard	IEEE 802.11b; IEEE 802.11g; IEEE 802.11n
Wireless Frequency Range	2.4 GHz
Storage	Micro SD card (max. 256 GB)

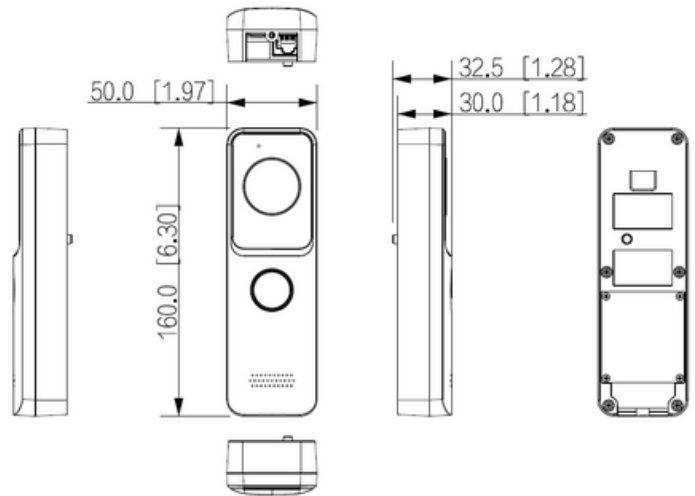
Performance

Card Reading Distance	0 cm–3 cm (0"–1.18")
-----------------------	----------------------

TECHNICAL SPECIFICATION

Issue Card Locally	Yes
Casing	PC+ABS
Capacity	
Card Capacity	3000
Port	
Exit Button	1
Door Status Detection	1
Lock Control	1
Network Port	1 × RJ-45 10/100 Mbps Ethernet port
Alarm	
Tamper Alarm	Yes
General	
Appearance color	Light grey
Power Supply	12–33 VDC, 1 A ; Standard PoE
Power Adapter	Optional
Installation	Surface Mount
Certifications	CE; FCC
Accessory	Included: Alarm power ribbon cable, rain cover
Product Dimensions	160 mm × 50 mm × 30 mm
Protection	IP65
Operating Temperature	−40 °C to +60 °C
Operating Humidity	10%–90% (RH), non-condensing
Operating Altitude	0 m–3,000 m
Power Consumption	≤ 3.5 W (standby), ≤ 6 W (working)
Gross Weight	0.4 kg (0.88 lb)
Net Weight	0.18 kg (0.40 lb)

DIMENSIONS



APPLICATION

