

PIX-ACM264

Pole Mount Bracket



- Built of aluminum alloy and is cost-effective.
- Suitable for a variety of cameras and is elegant.



Scene

It is ideal for mounting cameras, and works in temperatures ranging from $-40\text{ }^{\circ}\text{C}$ to $+60\text{ }^{\circ}\text{C}$ ($-40\text{ }^{\circ}\text{F}$ to $+140\text{ }^{\circ}\text{F}$) and in environments with relative humidity of less than 90%.

Technical Specification

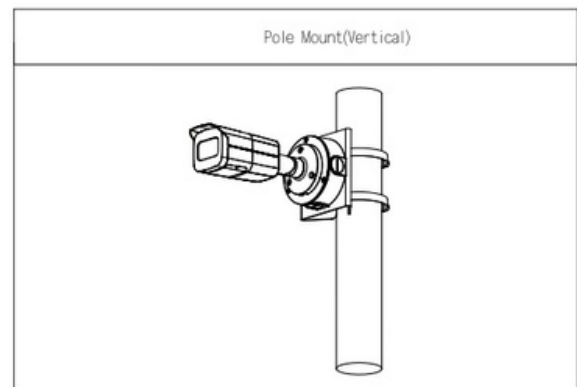
Structure

Material	Aluminum alloy
Dimensions	140.0 mm × 130.4 mm × 45.0 mm (5.51" × 5.13" × 1.77") (L × W × H)
Color	White
Net Weight	0.27 kg (0.59 lb)
Gross Weight	0.56 kg (1.23 lb)
Load Bearing	5.0 kg (11.02 lb)
Installation	Plane mount
Pole Diameter	80 mm–150 mm (3.15"–5.91")
Applicable Camera	Please see "Accessory Selection"
Product Dimensions	185.0 mm × 163.0 mm × 71.0 mm (7.28" × 6.42" × 2.8") (L × W × H)
Packaging Dimensions	578.0 mm × 383.0 mm × 349.0 mm (22.76" × 15.08" × 13.74") (L × W × H)
Packaging Method	30 pcs in each carton

Environment

Operating Temperature	$-40\text{ }^{\circ}\text{C}$ to $+60\text{ }^{\circ}\text{C}$ ($-40\text{ }^{\circ}\text{F}$ to $+140\text{ }^{\circ}\text{F}$)
Operating Humidity	< 90% (RH)
Storage Temperature	$-40\text{ }^{\circ}\text{C}$ to $+60\text{ }^{\circ}\text{C}$ ($-40\text{ }^{\circ}\text{F}$ to $+140\text{ }^{\circ}\text{F}$)
Storage Humidity	10%–90% (RH)

Installation



Dimensions (mm[inch])

