

# PIX-ACM252

## Water-proof Junction Box



- Built of aluminum alloy and is cost-effective.
- Suitable for a variety of cameras and is elegant.



### Scene

It is ideal for mounting cameras, and works in temperatures ranging from  $-40\text{ }^{\circ}\text{C}$  to  $+60\text{ }^{\circ}\text{C}$  ( $-40\text{ }^{\circ}\text{F}$  to  $+140\text{ }^{\circ}\text{F}$ ) and in environments with relative humidity of less than 90%.

### Technical Specification

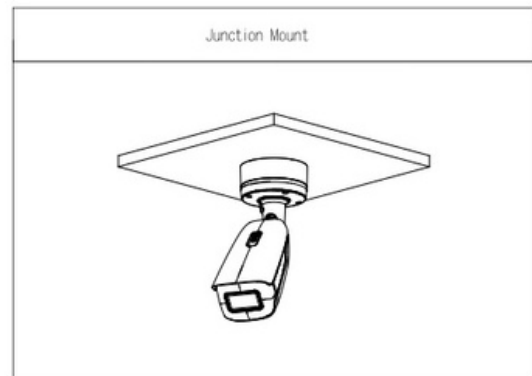
#### Structure

Product Material	Aluminum alloy
Product Dimensions	$\Phi 123.4\text{ mm} \times 44.9\text{ mm}$ ( $\Phi 4.86'' \times 1.77''$ )
Appearance Color	White
Net Weight	0.39 kg (0.86 lb)
Gross Weight	0.51 kg (1.12 lb)
Load Bearing	3.0 kg (6.61 lb)
Installation	Junction Mount
Screw Thread Type	G3/4
Applicable Model	Please see "Camera Accessories Selection"
Packaging Dimensions	$187.0\text{ mm} \times 164.0\text{ mm} \times 72.0\text{ mm}$ ( $7.36'' \times 6.46'' \times 2.83''$ ) (L x W x H)
Transport Package Dimensions	$578.0\text{ mm} \times 383.0\text{ mm} \times 349.0\text{ mm}$ ( $22.76'' \times 15.08'' \times 13.74''$ ) (L x W x H)
Packaging Method	30 pcs in each carton

#### Environment

Protection	IP66
Operating Temperature	$-40\text{ }^{\circ}\text{C}$ to $+60\text{ }^{\circ}\text{C}$ ( $-40\text{ }^{\circ}\text{F}$ to $+140\text{ }^{\circ}\text{F}$ )
Operating Humidity	< 90% (RH)
Storage Temperature	$-40\text{ }^{\circ}\text{C}$ to $+60\text{ }^{\circ}\text{C}$ ( $-40\text{ }^{\circ}\text{F}$ to $+140\text{ }^{\circ}\text{F}$ )
Storage Humidity	10%–90% (RH)

### Installation



### Dimensions (mm[inch])

