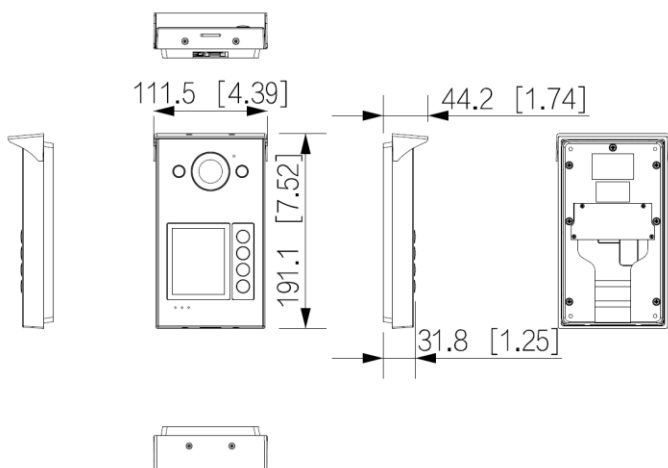




Postazione esterna IP

Postazione esterna IP o bifilare in alluminio con telecamera sensore 2MP CMOS e illuminazione IR led, connessione tramite porta LAN, 1 uscita a relè per comando apri porta mono familiare espandibile con modulo relè VAE010R su RS485 (max. 1), 1 o 2 o 4 pulsanti meccanici, lettore tessere RFID integrato, integrazione con i sistemi di videosorveglianza Pixvideo, alimentazione Standard PoE (802.3af) o con VAE064-2 e VAE025, consumo massimo 8W, montaggio in superficie, grado IP65 (con utilizzo di silicato di sodio liquido), tettoia parapioggia inclusa, antivandalica IK08, temperatura di esercizio -40 ~ +60°. (188.1 x 30.0 x 107.2mm)



CARATTERISTICHE TECNICHE

Technical Specification

Model	VEP015Z124
System	
Main Processor	Embedded Processor
Button Type	Mechanical
Interoperability	ONVIF; CGI
Network Protocol	RTSP; DNS; P2P; UPnP; RTP; RTMP; SIP; SSH; HTTP/HTTPS; ONVIF
Basic	
Camera	1/2.8" CMOS 2-MP HD camera
Field of View	H: 125°; V: 65°; D: 139°
WDR	120 dB
Noise Reduction	3D NR; 2D NR
Video Compression	H.264; H.265
Video Resolution	Main stream: 720p, WVGA, D1, and CIF; Sub stream: 1080p, WVGA, D1, QVGA, and CIF
Video Frame Rate	PAL: 25 fps NTSC: 30 fps
Video Bit Rate	768 kbps–8 Mbps
Light Compensation	Auto IR
Day/Night	Auto (ICR)/Color/B/W; Color/B/W
Audio Compression	G.711a; G.711u; PCM
Audio Input	1
Audio Output	Built-in speaker
Audio Mode	Two-way audio
Audio Enhancement	Echo suppression/digital noise reduction; Echo suppression; Digital noise reduction
Audio Bit Rate	16 kHz, 16 bit
Function	
Communication Mode	Full digital
Unlock Mode	Card; app; indoor monitor
Card Type	IC card
Auto Snapshot	Yes (SD card is inserted in the indoor monitor or door station)
Leave Videos	Yes (SD card inserted in VTH/VTO is needed)
Web Configuration	Yes
Storage	Micro SD card (max. 256 GB)
Performance	
Card Reading Distance	0 cm–3.5 cm (0"–1.38")
Issue Card Locally	Yes
Casing	Alluminum alloy
Capacity	
Card Capacity	3000
Port	
RS-485	1
Alarm Input	1
Alarm Output	1
Power Output	1
Exit Button	1
Door Status Detection	1
Lock Control	1
Network Port	1 × RJ-45/two-wire port, 10/100 Mbps self-adaptive

Alarm	
Tamper Alarm	Yes
General	
Appearance color	Grey
Power Supply	48 VDC, 1 A Standard PoE Dahua two-wire switch (max. power supply distance is 50 m/164.04 ft)
Power Adapter	Optional
Installation	Surface Mount
Certifications	CE; FCC
Accessory	Included: Alarm power ribbon cable, rain cover
Product Dimensions	188.1 mm × 107.2 mm × 30 mm (7.41" × 4.22" × 1.18")
Protection	IP65 IK08
Operating Temperature	-40 °C to +60 °C (-40 °F to +140 °F)
Operating Humidity	10%–90% (RH), non-condensing
Operating Altitude	0 m–3,000 m (0 ft–9,842.51 ft)
Power Consumption	≤ 4 W (standby), ≤ 8 W (working)
Gross Weight	0.78 kg (1.72 lb)