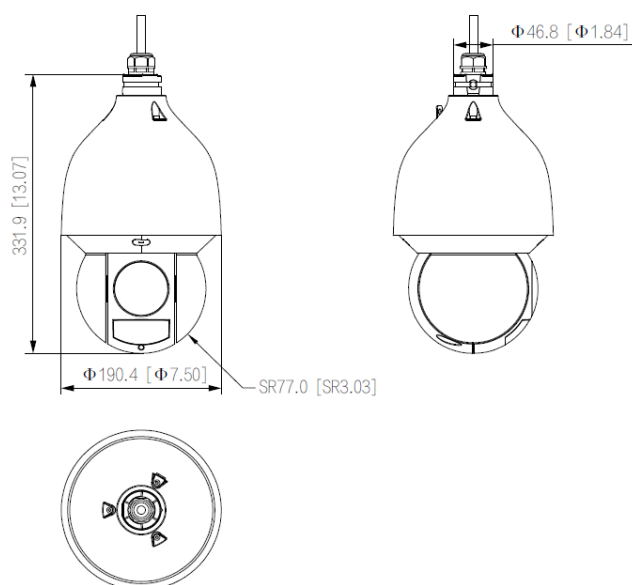




Telecamera IP Speed Dome

IR speed dome IP STARLIGHT, risoluzione 4Mp con 25Fps, da esterno/interno IP67, antivandalo IK10. termoventilata con protezione scariche fino a 6KV, H265+/H264, sensore CMOS progressivo 1/2.8", rotazione PAN 360° endless (0.1°~300°/s) / TILT -15°~+90° auto flip (0.1°~200°/s), ICR meccanico, modulo zoom da 32x (4.8~154mm f1.6~4,0) + 16x digitale, luminosità 0.0005Lux a f1.35 (0Lux IR on), led IR portata fino a 150mt, funzione Smart Motion Detection e Perimeter Protection, porta LAN 10/100, 2 ingressi e 1 uscite di allarme, 1 ingresso e 1 uscita audio, 1 slot per MicroSD-Card (max 256Gb), fino a 300 preset, 8 tour e 5 pattern, AutoPan, AutoScan, ULTRADNR (2D-3D), WDR, programmatore orario, con analisi video avanzata AI, metadati, autotracking avanzato, privacy mask 24 aree, alimentazione 24Vac <22W o PoE+, in dotazione staffa da muro e alimentatore, compatibile ONVIF. (Φ190.4mmx332.0mm)

PIXVIDEO



CARATTERISTICHE TECNICHE

Technical Specification

Model	NSP433SRI
Camera	
Image Sensor	1/2.8" CMOS
Pixel	4 MP
Max. Resolution	2560 (H) × 1440 (V)
ROM	4 GB
RAM	1 GB
Electronic Shutter Speed	1/1 s–1/30,000 s
Scanning System	Progressive
Min. Illumination	Color: 0.005 lux@F1.6 B/W: 0.0005 lux@F1.6 0 lux (IR light on)
Illumination Distance	150 m (492.13 ft) (IR)
Illuminator On/Off Control	Zoom Prio; Manual; SmartIR
Illuminator Number	4 (IR)
Lens	
Focal Length	4.8 mm–154 mm
Max. Aperture	F1.6–F4.0
Field of View	H: 55.81°–2.37°; V: 31.92°–1.34°; D: 63.71°–2.71°
Optical Zoom	32x
Focus Control	Auto; Semi-auto; Manual
Close Focus Distance	0.8 m–5.0 m (2.62 ft–16.40 ft)
Iris Control	Auto; Manual
PTZ	
Pan/Tilt Range	Pan: 0° to 360° endless Tilt: -15° to +90°, auto flip 180°
Manual Control Speed	Pan: 0.1°–300°/s Tilt: 0.1°–200°/s
Preset Speed	Pan: 400°/s; Tilt: 300°/s
Preset	300
Tour	8 (up to 32 presets per tour)
Pattern	5
Scan	5
Power-off Memory	Yes
Idle Motion	Preset; Pattern; Tour; Scan
PTZ Protocol	DH-SD Pelco-P/D (Auto recognition)
Intelligence	
Smart Capture	Support human, motor vehicle and non-motor vehicle image capture.
IVS (Perimeter Protection)	Tripwire and intrusion. Support alarm triggering by target types (human and vehicle). Support filtering false alarms caused by animals, rustling leaves, bright lights, etc.
Face Detection	Yes
Auto Tracking	Yes
SMD PLUS	Yes
Video	
Video Compression	Smart H.265+; H.265; Smart H.264+; H.264B; H.264M; H.264H; MJPEG (Sub Stream)
Streaming Capability	3 streams

Alarm Linkage	Capture; preset; tour; pattern; recording; triggering on-off value output; audio; sending email
Alarm Event	Motion/tampering detection; audio detection; network disconnection detection; IP conflict detection; memory card state detection; memory space detection; power exception detection
Alarm I/O	2/1
Audio I/O	1/1
Power	
Power Supply	24 VDC, 2.5 A (± 25%) PoE+ (802.3at)
Power Consumption	Basic: 13 W Max.: 22 W (illuminator + PTZ working)
Environment	
Operating Temperature	-40 °C to +70 °C (-40 °F to +158 °F)
Operating Humidity	≤ 95%
Protection	IP67; IK10; TVS 6000 V lightning proof; surge protection; voltage transient protection
Structure	
Product Dimensions	331.9 mm × Φ190.4 mm (13.07" × Φ7.50")
Net Weight	4.7 kg (10.36 lb)
Gross Weight	8 kg (17.64 lb)

DORI Distance

	Detect	Observe	Recognize	Identify
DORI Distance	2,124 m (6,968.50 ft)	839 m (2,752.62 ft)	425 m (1,394.36 ft)	212 m (695.54 ft)

Resolution	4M (2560 × 1440); 3M (2048 × 1536); 1080p (1920 × 1080); 720p (1280 × 720); D1 (704 × 576/704 × 480); CIF (352 × 288/352 × 240)
Video Frame Rate	Main stream: 4M/3M/2M/1.3M/720p (1-25/30 fps) Sub stream 1: D1/CIF (1-25/30 fps) Sub stream 2: 2M/1.3M/720p (1-25/30 fps)
Bit Rate Control	CBR; VBR
Video Bit Rate	H.264: 3 kbps-20480 kbps H.265: 3 kbps-20480 kbps
Day/Night	Auto (ICR); Color; B/W
BLC	Yes
WDR	120 dB
HLC	Yes
White Balance	Auto; indoor; outdoor; tracking; manual; sodium lamp; natural light; street lamp
Gain Control	Auto; Manual
Noise Reduction	2D NR; 3D NR
Motion Detection	Yes
Region of Interest (RoI)	Yes
Image Stabilization	EIS
Defog	Electronic
Digital Zoom	16×
Image Rotation	180°
Privacy Masking	Up to 24 areas can be set, with up to 8 areas in the same view
S/N Ratio	≥ 55 dB
Audio	
Audio Compression	G.711a; G.711Mu; G.726; MPEG2-Layer2; G722.1; G729; G723
Network	
Network Port	RJ-45 (10/100 Base-T)
Network Protocol	HTTP; HTTPS; IPv4; RTSP; UDP; SMTP; NTP; DHCP; DNS; DDNS; IPv6; 802.1x; QoS; FTP; UPnP; ICMP; SNMP; SNMP v1/v2c/v3 (MIB-2); IGMP; ARP; RTCP; RTP; PPPoE; RTMP; TCP
Interoperability	ONVIF Profile S&G&T; CGI
Streaming Method	Unicast; Multicast
User/Host	20 (total bandwidth: 64 M)
Storage	FTP; Micro SD card (512 GB); NAS
Browser	IE: IE7 and later Chrome: 42 and earlier Firefox: 52 and earlier Safari
Management Software	Smart PSS; DSS; DMSS; Easy4ip; IVSS
Mobile Client	iOS; Android
Certification	
Certifications	CE-LVD: EN 62368-1 CE-EMC: EN55032:2015/EN61000-3-2; 2019/EN61000-3-3; 2013+A1; 2019/EN50130-4: 2011/A1; 2014/EN55024: 2010/A1; 2015/EN55035: 2017 FCC: CFR 47 FCC Part15, Subpart B UL: UL60950-1+CAN/CSA C22.2, No.60950-1
Port	
Two-way Audio	Yes