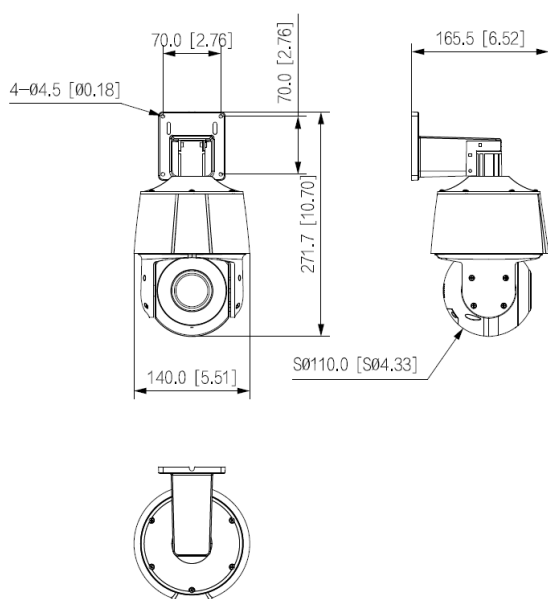




Telecamera IP Speed Dome

IR speed dome IP STARLIGHT, risoluzione 2Mp con 50Fps, da esterno/interno IP66, con analisi video integrata, Deterrenza Attiva con luci rosse e blu, H265+/H264, termoventilata con protezione scariche fino a 2KV, sensore CMOS progressivo 1/3", rotazione PAN 355° (0.1~26°/s) / TILT -15°~90° auto flip (0.1~17.5°/s), ICR meccanico, modulo zoom da 5x (2.7~13.5mm f1.7~3.0), luminosità 0,05Lux F1.7 (0Lux IR on), led IR portata fino a 30mt, con microfono e altoparlante integrato, sirena, funzione Smart Motion Detection e Perimeter Protection, porta LAN 10/100, 1 ingresso e 1 uscita audio, 1 slot per MicroSD-Card (max 256Gb), fino a 300 preset, AutoPan, AutoScan, ULTRADNR (2D-3D), WDR, programmatore orario, privacy mask, alimentazione 12Vdc 12,95W o PoE, in dotazione staffa da muro e alimentatore, compatibile ONVIF. (Φ165.5mmx271.7mm)

PIXVIDEO



CARATTERISTICHE TECNICHE

Technical Specification

Model	NSP254IRDET
Camera	
Image Sensor	1/3" CMOS
Pixel	4 MP
Max. Resolution	2560 (H) x 1440 (V)
ROM	128 MB
RAM	128 MB
Electronic Shutter Speed	1/3 s–1/100,000 s
Scanning System	Progressive
Min. Illumination	Color: 0.05 lux@F1.7 B/W: 0.005 lux@F1.7 0 lux (IR light on)
Illumination Distance	30 m (98.42 ft) (IR)
Illumination On/Off Control	Auto; Manual; Off
Illumination Number	4 (IR)
Lens	
Focal Length	2.7–13.5 mm
Max. Aperture	F1.7–F3.0
Field of View	H: 90.7°–27.9°; V: 48.2°–15.7°; D: 107.6°–32°
Focus Control	Auto; semi-auto; manual
Close Focus Distance	1 m (3.28 ft)
Iris Control	Fixed
PTZ	
Pan/Tilt Range	Pan: 0° to 355° Tilt: -15° to +90°
Manual Control Speed	Pan: 0.1°/s–26°/s Tilt: 0.1°/s–17.5°/s
Preset Speed	Pan: 26°/s; Tilt: 17.5°/s
Preset	300
Power-off Memory	Yes
Smart Event	
IVS	Tripwire; intrusion
Human Detection	Yes
Active Deterrence	
Light Warning	Red and blue light warning Flash duration: 5 s–30 s Flash frequency: High, medium, low
Sound Warning	Sound warning alarm: Customizable Alarm duration: 10 s, 20 s, 30 s
Video	
Video Compression	Smart H.265+; H.265; Smart H.264; H.264; H.264B; MJPEG (Sub Stream 1)
Streaming Capability	2 Streams
Resolution	4M (2560 × 1440); 1080p (1920 × 1080); 720p (1280 × 720); D1 (704 × 576/704 × 480); CIF (352 × 288/352 × 240)
Video Frame Rate	Main stream: 4M/1080p/1.3M/720p (1–25/30 fps) Sub stream 1: D1/CIF (1–25/30 fps)
Bit Rate Control	CBR; VBR
Video Bit Rate	H.264: 32 kbps–8192 kbps H.265: 32 kbps–8192 kbps

Day/Night	Auto (ICR); Color; B/W
BLC	Yes
WDR	DWDR
HLC	Yes
White Balance	Auto; indoor; outdoor; tracking; manual; sodium lamp; natural light; street lamp
Gain Control	Auto; Manual
Noise Reduction	2D NR; 3D NR
Motion Detection	Yes
Image Rotation	180°
S/N Ratio	≥55 dB
Audio	
Audio Compression	G.711a; G.711Mu; G.726; AAC; MPEG2-Layer2; G722.1; G729; G723
Network	
Network Port	RJ-45 (10/100 Base-T)
Network Protocol	HTTP; HTTPS; TCP/IP; IPv4; RTSP; UDP; SMTP; NTP; DHCP; DNS; DDNS; IPv6; SSL; FTP; ARP; RTCP; RTP; IP Filter; RTMP; TCP
Interoperability	CGI
Streaming Method	Unicast; Multicast
User/Host	20
Storage	FTP; Micro SD card (256 GB)
Browser	IE 7 and later versions Chrome 42 and earlier versions Firefox 52 and earlier versions Safari
Management Software	Smart PSS; DMSS; player; configtool; NVR; Smart Player
Mobile Client	iOS; Android; iPhone; iPad; Windows Phone
Certification	
Certifications	CE: EN55032/EN55024/EN50130-4 FCC: Part15 subpartB, ANSI C63.4-2014
Port	
Audio Input	1 channel (built-in Mic)
Audio Output	1 channel (built-in speaker)
Audio I/O	1/1
Two-way Audio	Yes
Alarm Linkage	Capture; preset; recording; send email; audio
Alarm Event	Motion/tampering detection; audio detection; network disconnection detection; IP conflict detection; memory card state detection; memory space detection
Power	
Power Supply	12 VDC, 1.5 A (±10%) PoE (802.3af)
Power Consumption	Basic: 2.5 W Max.: 12.95 W (illuminator)
Environment	
Operating Temperature	-30 °C to 60 °C (-22 °F to +140 °F)
Operating Humidity	≤95%
Protection	IP66; TVS 2000 V lightning proof; surge protection; voltage transient protection
Structure	
Product Dimensions	271.7 mm × 165.5 mm × 140 mm (10.70" × 6.52" × 5.51")
Net Weight	1.07 kg (2.36 lb)
Gross Weight	1.46 kg (3.21 lb)

DORI Distance

	Detect	Observe	Recognize	Identify
DORI Distance	206.6 m (677.82 ft)	82.6 m (270.99 ft)	41.3 m (135.49 ft)	20.7 m (67.91 ft)