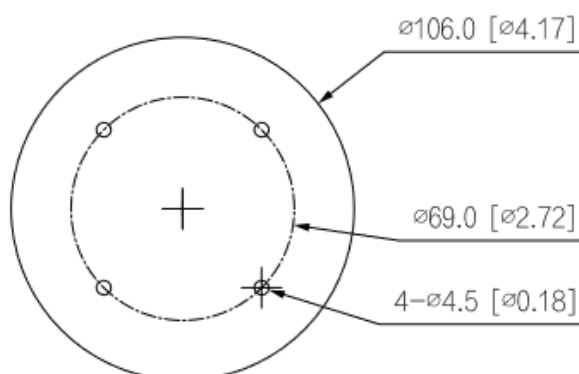
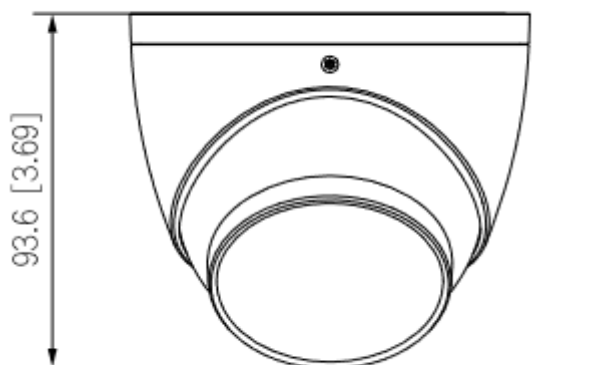




Telecamera HDCVI Dome

Telecamera Dome HDCVI FULL COLOR STARLIGHT doppia illuminazione I.R. + Led bianchi, da 2Mp a 25fps, da esterno/interno IP67, sensore progressivo 1/2.8" CMOS, ICR meccanico, ottica 3.6mm, luminosità 0.001Lux f1.6(0 Lux con Led on), led IR e bianchi con portata fino a 40mt, con microfono incorporato, 2-3D, WDR, 1 uscita video (HDCVI o AHD o TVI o CVBS), OSD su cavo coassiale, alimentazione 12Vdc, 4W. (Φ106.0mm×93.6mm)

PIXVIDEO



CARATTERISTICHE TECNICHE

Technical Specification

Model	HDF213CDI
Camera	
Pixel	2 MP
Image Sensor	2 MP CMOS
Max. Resolution	1920 (H) × 1080 (V)
Scanning System	Progressive
Electronic Shutter Speed	PAL: 1/25 s–1/100,000 s NTSC: 1/30 s–1/100,000 s
Min. Illumination	0.001 lux@F1.6 (Color, 30 IRE) 0.0001 lux@F1.6 (B/W, 30 IRE) 0 lux (Illuminator on)
S/N Ratio	>65 dB
Illumination Distance	IR: 40 m (131.23 ft) Warm light: 40 m (131.23 ft)
Illuminator On/Off Control	Auto/Manual
Illuminator Number	2 (IR light) 2 (Warm light)
Pan/Tilt/Rotation Range	Pan: 0°–360° Tilt: 0°–78° Rotation: 0°–360°
Lens	
Lens Type	Fixed-focal
Lens Mount	M12
Focal Length	2.8 mm 3.6 mm
Max. Aperture	F1.6
Field of View	2.8 mm: H: 107°; V: 56°; D: 127° 3.6 mm: H: 86°; V: 46°; D: 101°
Iris Control	Fixed
Close Focus Distance	2.8 mm: 0.7 m (2.29 ft) 3.6 mm: 1.1 m (3.61 ft)
Video	
Video Frame Rate	CVI: PAL: 1080p@25 fps; NTSC: 1080p@30 fps; AHD: PAL: 1080p@25 fps; NTSC: 1080p@30 fps; TVI: PAL: 1080p@25 fps; NTSC: 1080p@30 fps; CVBS: PAL: 960 × 576H; NTSC: 960 × 480H
Resolution	1080p (1920 × 1080); 960H (960 × 576/960 × 480)
Day/Night	Auto (ICR)/Color/B/W
BLC	BLC; HLC; WDR
WDR	130 dB
White Balance	Auto; Area white balance
Gain Control	Auto/Manual
Noise Reduction	3D NR
Smart Illumination	Yes
Mirror	Off/On
Privacy Masking	Off/On (8 areas, rectangle)
Illuminator	Smart IR&WL; WL Mode; IR Mode

Certifications	
Certifications	CE (EN55032: 2015, EN61000-3-2: 2014, EN61000-3-3: 2013, EN55024: 2010+A1: 2015, EN55035: 2017, EN50130-4: 2011+A1: 2014, EN62368-1: 2014+A11: 2017) FCC (CFR 47 FCC Part 15 subpartB, ANSI C63.4-2014) UL (UL62368-1+CAN/CSA C22.2 No.62368-1-14)
Port	
Video Output	Video output choices of CVI/TVI/AHD/CVBS by one BNC port
Audio Input	One channel built-in MIC (-A)
Power	
Power Supply	12 VDC \pm 30%
Power Consumption	Max 4.0 W (12 VDC, LED on)
Environment	
Operating Temperature	-40 °C to +60 °C (-40 °F to +140 °F)
Operating Humidity	<95% (RH), non-condensing
Storage Temperature	-40 °C to +60 °C (-40 °F to +140 °F)
Protection	IP67
Structure	
Casing Material	Metal
Product Dimensions	Φ 106.0 mm \times 93.6 mm (Φ 4.17" \times 3.69")
Packaging Dimensions	148 mm \times 139 mm \times 137 mm (5.83" \times 5.47" \times 5.39")
Net Weight	0.46 kg (1.01 lb)
Gross Weight	0.64 kg (1.41 lb)
Installation	Wall mount; ceiling mount; vertical pole mount

DORI Distance

	Lens	Detect	Observe	Recognize	Identify
DORI Distance	2.8 mm	42.2 m (138.45 ft)	16.9 m (55.45 ft)	8.4 m (27.56 ft)	4.2 m (13.78 ft)
	3.6 mm	53.7 m (176.18 ft)	21.5 m (70.54 ft)	10.7 m (35.10 ft)	5.4 m (17.72 ft)