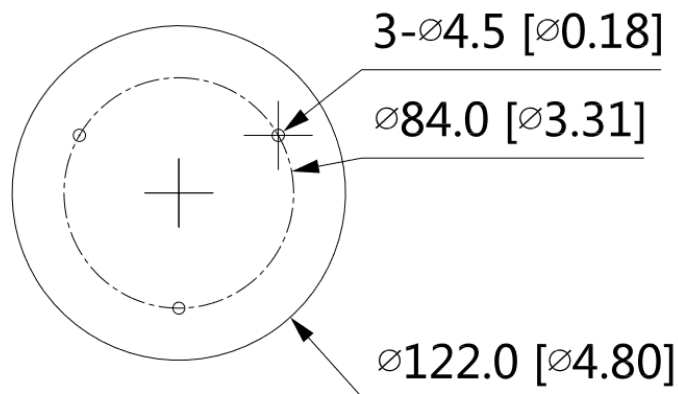
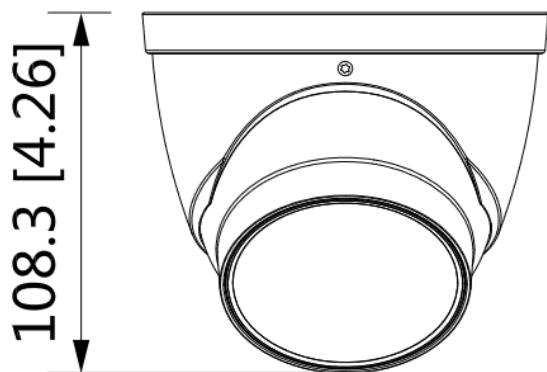




Camera IP 4K Dome

Camera IP 4K Dome STARLIGHT da 8Mp con 25 fps, da esterno/interno IP67 con analisi video integrata, sensore CMOS progressivo 1/2.8", H265+/H264, ICR meccanico, ottica motorizzata 2.7~13.5mm, luminosità 0,007Lux/F1.5 (0 Lux con IR on), led IR portata fino a 50mt, funzione Smart Motion Detection e Perimeter Protection, 1 slot per MicroSD-Card (max 256Gb), porta LAN 10/100, microfono incorporato, privacy mask 4 aree, 3D, WDR, alimentazione 12Vdc o PoE <7.3W, compatibile ONVIF. (Φ122.0mm×108.3mm)

PIXVIDEO



CARATTERISTICHE TECNICHE

Technical Specification

Model	NDV806SK
Camera	
Image Sensor	1/2.8" 8Megapixel progressive CMOS
Max. Resolution	3840 (H) × 2160 (V)
ROM	128 MB
RAM	512 MB
Scanning System	Progressive
Electronic Shutter Speed	Auto/Manual 1/3 s–1/100,000 s
Min. Illumination	0.007 Lux@F1.5 (Color, 30IRE)
	0.0007 Lux@F1.5 (B/W, 30IRE)
	0 Lux (Illuminator on)
S/N Ratio	> 56 dB
Illumination Distance	50 m (164 ft)
Illuminator On/Off Control	Auto/Manual
Illuminator Number	2 (IR LED)
Pan/Tilt/Rotation Range	Pan: 0°–360°
	Tilt: 0°–78°
	Rotation: 0°–360°
Lens	
Lens Type	Motorized vari-focal
Mount Type	φ14
Focal Length	2.7 mm–13.5 mm
Max. Aperture	F1.5
Field of View	Horizontal: 113°–31°
	Vertical: 58°–17°
	Diagonal: 138°–36°
Iris Type	Fixed
Close Focus Distance	0.8 m (2.6 ft)
Video	
Video Compression	H.265; H.264; H.264H; H.264B; MJPEG (only supported by the sub stream)
Smart Codec	Smart H.265+/ Smart H.264+
Video Frame Rate	Main stream: 3840 × 2160 @(1–20 fps by default) 3840 × 2160 @(1–25/30 fps when AI function disabled)
	sub stream: 704 × 576 @(1–25 fps)/704 × 480 @ (1–30 fps)
	third stream: 1920 × 1080 @(1–25/30 fps)
Stream Capability	3 streams
Resolution	8M (3840 × 2160); 6M (3072 × 2048); 5M (3072 × 1728/2592 × 1944); 4M (2688 × 1520); 3M (2048 × 1536/2304 × 1296); 1080p (1920 × 1080); 1.3M (1280 × 960); 720p (1280 × 720); D1(704 × 576/704 × 480); VGA (640 × 480); CIF (352 × 288/352 × 240)
Bit Rate Control	CBR/VBR
Video Bit Rate	H.264: 3 kbps–8192 kbps H.265: 3 kbps–8192 kbps
Day/Night	Auto (ICR)/Color/B/W
BLC	Yes
HLC	Yes
WDR	120 dB

Scene Self-adaptation (SSA)	Yes
White Balance	Auto/natural/street lamp/outdoor/manual/regional custom
Gain Control	Auto/Manual
Noise Reduction	3D DNR
Motion Detection	OFF/ON (4 areas, rectangular)
Region of Interest (RoI)	Yes (4 areas)
Smart Illumination	Yes
Image Rotation	0°/90°/180°/270° (Support 90°/270° with 1080p resolution and lower.)
Mirror	Yes
Privacy Masking	4 areas
Audio	
Built-in MIC	Yes
Audio Compression	G.711a; G.711Mu; G726
Alarm	
Alarm Event	No SD card; SD card full; SD card error; service life warning (only supported by Dahua card); network disconnection; IP conflict; illegal access; motion detection; video tampering; intrusion; tripwire; scene changing; audio detection; voltage detection; defocus detection; SMD; safety exception
Network	
Network	RJ-45 (10/100 Base-T)
SDK and API	Yes
Protocol	IPv4; IPv6; HTTP; TCP; UDP; ARP; RTP; RTSP; RTCP; RTMP; SMTP; FTP; SFTP; DHCP; DNS; DDNS; QoS; UPnP; NTP; Multicast; ICMP; IGMP; NFS; SAMBA; PPPoE; SNMP
Cyber Security	Video encryption; firmware encryption; configuration encryption; Digest; WSSE; account lockout; security logs; IP/MAC filtering; generation and importing of X.509 certification; syslog; HTTPS; 802.1x; trusted boot; trusted execution; trusted upgrade
Interoperability	ONVIF (Profile S/Profile G/Profile T); CGI; P2P; Milestone; Genetec
User/Host	20 (Total bandwidth: 72 M)
Storage	FTP; SFTP; Micro SD card (support max. 256 G); NAS
Browser	IE: IE8; IE9; IE11 Chrome Firefox
Management Software	Smart PSS; DSS; DMSS
Mobile Phone	IOS; Android
Network	RJ-45 (10/100 Base-T)
Certification	
Certifications	CE-LVD: EN62368-1 CE-EMC: Electromagnetic Compatibility Directive 2014/30/EU FCC: 47 CFR FCC Part 15, Subpart B UL/CUL: UL60950-1 CAN/CSA C22.2 No.60950-1-07
Power	
Power Supply	12V DC/PoE (802.3af)
Power Consumption	Basic power consumption: 2.6W (12V DC); 3.3W (PoE) Max. power consumption (WDR + H.265 + IR LED intensity): 6W (12V DC); 7.3W (PoE)

Environment	
Operating Conditions	-30°C to +60°C (-22°F to +140°F) Less than 95% RH
Storage Conditions	-40°C to +60°C (-40°F to +140°F)
Protection Grade	IP67
Structure	
Casing	Metal
Dimensions	108.3 mm × Φ122 mm (4.3" × Φ4.8")
Net Weight	685g (1.5 lb)
Gross Weight	828 g (1.8 lb)

DORI Distance

DORI Distance	Lens	Detect	Observe	Recognize	Identify
	W	85.3 m (279.9 ft)	34.1 m (111.9 ft)	17.0 m (55.8 ft)	8.5 m (27.9 ft)
	T	280.0 m (918.6 ft)	112.0 m (367.5 ft)	56.0 m (183.7 ft)	28.0 m (91.9 ft)