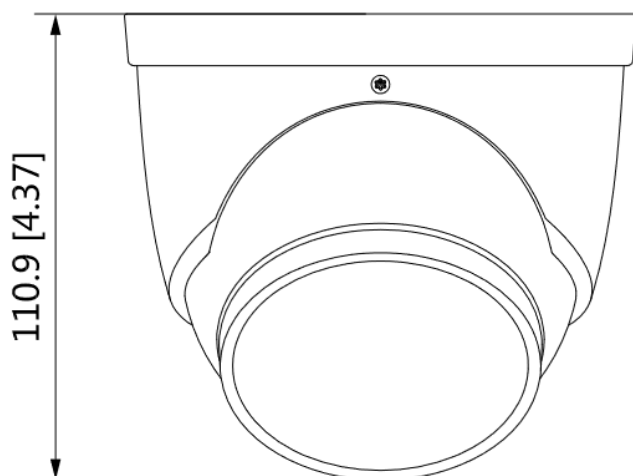




## Camera IP Dome

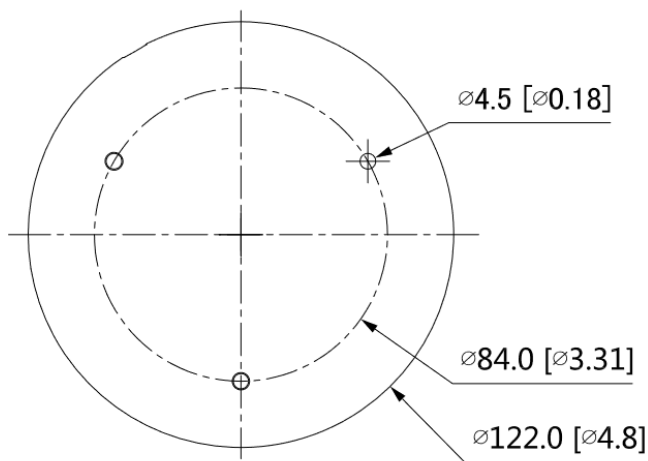
Camera IP Dome FULL COLOR STARLIGHT DETERRENZA ATTIVA 2.0, doppia illuminazione I.R. + Led bianco, 4K risoluzione 8Mp con 25Fps, da esterno/interno IP67, con analisi video integrata, con sensore CMOS progressivo 1/2.8", H265/H264, ICR meccanico, ottica fissa 2.8 mm f 1.0, luminosità 0.004Lux/F1.0 (0 Lux con Led on), led IR portata fino a 30mt, led bianco portata fino a 30mt, Deterrenza Attiva con luci rosse e blu e sirena attivabile/disattivabile anche da remoto, zona di Preallarme e di Allarme configurabile, funzione Smart Motion Detection 3.0 e Perimeter Protection, porta LAN 10/100, 1 ingresso e 1 uscita di allarme, 1 ingresso e 1 uscita audio, 1 slot per MicroSD-Card (max 256Gb), doppio microfono e altoparlante incorporato, privacy mask 4 aree, 3D, WDR, alimentazione 12Vdc/PoE <9.6W, compatibile ONVIF. (Φ122.0mm×110.9mm)

**PIXVIDEO**



## CARATTERISTICHE TECNICHE

Technical Specification	
Model	NDF815SDETDI
<b>Camera</b>	
Image Sensor	1/2.8" CMOS
Max. Resolution	3840 (H) × 2160 (V)
ROM	128 MB
RAM	512 MB
Scanning System	Progressive
Electronic Shutter Speed	Auto/Manual 1/3 s–1/100,000 s
Min. Illumination	0.004 lux@F1.0 (Color, 30 IRE)
	0.0004 lux@F1.0 (B/W, 30 IRE)
	0 lux (illuminator on)
S/N Ratio	> 56 dB
Illumination Distance	30 m (98.43 ft) (IR)
	30 m (98.43 ft) (warm light)
Illuminator On/Off Control	Auto; manual
Illuminator Number	1 (IR LED)
	1 (warm light)
Pan/Tilt/Rotation Range	Pan: 0°–360°
	Tilt: 0°–78°
	Rotation: 0°–360°
<b>Lens</b>	
Lens Type	Fixed-focal
Mount Type	M12
Focal Length	2.8 mm; 3.6 mm
Field of View	2.8 mm: Horizontal: 106°× Vertical: 55°× Diagonal: 125°
	3.6 mm: Horizontal: 85°× Vertical: 45°× Diagonal: 100°
Iris Type	Fixed
Close Focus Distance	2.8 mm: 2.0 m (6.56 ft)
	3.6 mm: 2.8 m (6.23 ft)
<b>Professional, intelligent</b>	
IVS (Perimeter Protection)	Tripwire; intrusion (Support the classification and accurate detection of vehicle and human)
SMD 3.0	Less false alarm, longer detection distance
Intelligent Search	Work together with Smart NVR to perform refine intelligent search, event extraction and merging to event videos.
<b>Alarm</b>	
Alarm Event	No SD card; SD card full; SD card error; network disconnection; IP conflict; illegal access; motion detection; video tampering; tripwire; intrusion; scene changing; audio detection; voltage detection; external alarm; SMD; security exception
<b>Certifications</b>	
Certification	CE-LVD: EN 62368-1; CE-EMC: Electromagnetic Compatibility Directive 2014/30/EU; FCC: 47 CFR FCC Part 15, Subpart B; UL/CUL:UL62368-1 & CAN/CSA C22.2 No. 62368-1-14



Video	
Video Compression	H.265; H.264; H.264H; H.264B; MJPEG (Only supported by the sub stream)
Smart Codec	Smart H.265+; Smart H.264+
AI Coding	AI H.265; AI H.264
Video Frame Rate	Main stream: 3840 × 2160@(1 fps–30 fps) Sub stream: 704 × 576@(1 fps–25 fps)/704 × 480@(1 fps–30 fps) Third stream: 1920 × 1080@(1 fps–30 fps) *The values above are the max. frame rates of each stream; for multiple streams, the values will be subjected to the total encoding capacity.
Stream Capability	3 streams
Resolution	8M (3840 × 2160); 6M (3072 × 2048); 5M (3072 × 1728/2592 × 1944); 4M (2688 × 1520); 3M (2048 × 1536/2304 × 1296); 1080p (1920 × 1080); 1.3M (1280 × 960); 720p (1280 × 720); D1 (704 × 576/704 × 480); VGA (640 × 480); CIF (352 × 288/352 × 240)
Bit Rate Control	CBR/VBR
Video Bit Rate	H.264: 3 kbps–20480 kbps H.265: 3 kbps–20480 kbps
Day/Night	Auto (ICR)/Color/B/W
BLC	Yes
HLC	Yes
WDR	120 dB
Scene Self-adaptation	Yes
White Balance	Auto; natural; street lamp; outdoor; manual; regional custom
Gain Control	Auto; manual
Noise Reduction	3D NR
Motion Detection	OFF/ON (4 areas)
Region of Interest (Rol)	Yes (4 areas)
Smart Illumination	Yes
Defog	Yes
Image Rotation	0°/90°/180°/270° (Support 90°/270° with 2688 × 1520 resolution and lower)
Mirror	Yes
Privacy Masking	8 areas
Audio	
Built-in MIC	Yes
Audio Compression	PCM; G.711a; G.711Mu; G.726; G.723
Port	
Audio Input	1 channel (RCA port)
Audio Output	1 channel (RCA port)
Alarm Input	1 channel in: 5 mA 3V–5 VDC
Alarm Output	1 channel out: 300 mA 12 VDC
Power	
Power Supply	12 VDC/PoE (802.3af)
Power Consumption	Basic: 2.9 W (12 VDC); 5.0 W (PoE) Max. (H.265+main stream/IR intensity + warm light on): 7.8 W (12 VDC) 9.6 W (PoE)
Environment	
Operating Conditions	–40 °C to +60 °C (–40 °F to +140 °F)/Less than 95% RH
Storage Conditions	–40 °C to +60 °C (–40 °F to +140 °F)
Protection Grade	IP67
Operating Conditions	–40 °C to +60 °C (–40 °F to +140 °F)/Less than 95% RH

<b>Network</b>	
Network	RJ-45 (10/100 Base-T)
SDK and API	Yes
Cyber Security	Video encryption; firmware encryption; configuration encryption; Digest; WSSE; account lockout; security logs; IP/MAC filtering; generation and importing of X.509 certification; syslog; HTTPS; 802.1x; trusted boot; trusted execution; trusted upgrade
Protocol	IPv4; IPv6; HTTP; TCP; UDP; ARP; RTP ; RTSP; RTCP; RTMP; SMTP; FTP; SFTP; DHCP; DNS; DDNS; QoS; UPnP; NTP; Multicast; ICMP; IGMP; NFS; SAMBA; PPPoE; SNMP
Interoperability	ONVIF (Profile S/Profile G/Profile T); CGI; P2P; Milestone
User/Host	20 (Total bandwidth: 72 M)
Storage	FTP; SFTP; Micro SD card (Support max. 256 G); NAS
Browser	IE: IE8/9/11 Chrome Firefox
Management Software	Smart PSS; DSS; DMSS
Mobile Phone	iOS; Android
<b>Structure</b>	
Casing	Metal
Dimensions	110.9 mm × Φ122.0 mm (4.4" × Φ4.8")
Net Weight	745 g (163.1 lb)
Gross Weight	915 g (200.6 lb)

### DORI Distance

	Lens	Detect	Observe	Recognize	Identify
DORI Distance	2.8 mm	91.0 m (298.56 ft)	36.4 m ( 119.42 ft)	18.2 m (59.71 ft)	9.1 m (29.86 ft)
	3.6 mm	107.6 m (353.02 ft)	43.0 m ( 141.08 ft)	21.5 m (70.54 ft)	10.8 m (35.43 ft)