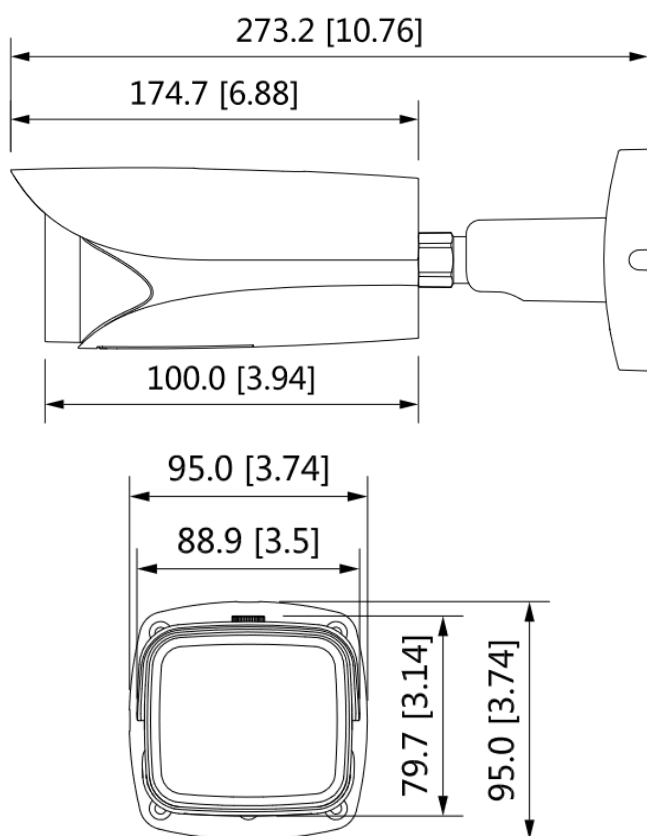




Camera IP Bullet PANORAMICA

Camera IP 4K ePoE Bullet antivandalo IK10, da esterno/interno IP67, con analisi video integrata compresa Face Detection, sensore CMOS progressivo 1/1.8", risoluzione 8Mp da 1 a 25Fps, H265+/H264, ICR meccanico, ottica motorizzata 2.7~12mm, luminosità 0.004Lux f1.4 (0 Lux con IR on), led IR portata fino a 60mt, porta LAN 100/1.000Mbps, 2 ingressi e 1 uscita di allarme, 1 ingresso e 1 uscita audio, 1 slot per MicroSD-Card (max 256Gb) per backup, privacy mask 4 aree, 3D, WDR, alimentazione 12 Vdc, ePoE o PoE <7.9W, compatibile ONVIF, in dotazione staffa di fissaggio. (273.2mm×95.0mm×95.0mm)

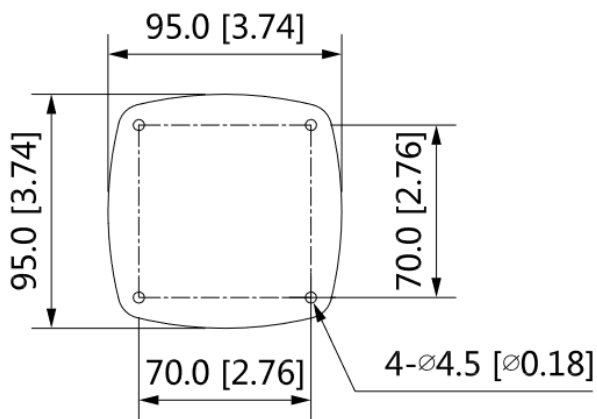
PIXVIDEO



CARATTERISTICHE TECNICHE

Technical Specification

| | |
|----------------------------------|---|
| Model | NBV807KE |
| Camera | |
| Image Sensor | 1/1.8" CMOS |
| Max. Resolution | 3840 (H) × 2160 (V) |
| ROM | 128 MB |
| RAM | 1 GB |
| Scanning System | Progressive |
| Electronic Shutter Speed | Auto/Manual 1/3 s–1/100,000 s |
| Min. Illumination | 0.004 lux@F1.4 (Color, 30 IRE) |
| | 0.0004 lux@F1.4 (B/W, 30 IRE) |
| | 0 lux (Illuminator on) |
| S/N Ratio | > 56 dB |
| Illumination Distance | 60 m (196.9 ft) |
| Illuminator On/Off Control | Auto; Manual |
| Illuminator Number | 4 (IR) |
| Lens | |
| Lens Type | Motorized vari-focal |
| Lens Mount | φ14 |
| Focal Length | 2.7 mm–12.0 mm |
| Max. Aperture | F1.4 |
| Field of View | Horizontal: 110.4°–45° |
| | Vertical: 57.8°–25.2° |
| | Diagonal: 133.8°–51.8° |
| Iris Control | Auto |
| Close Focus Distance | W/T:1.0 m (3.3 ft) |
| Professional, intelligent | |
| IVS (Perimeter Protection) | Tripwire; intrusion; fast moving (the three functions support the classification and accurate detection of vehicle and human); loitering detection; people gathering; parking detection |
| Face Detection | Face detection; track; snapshot optimization; snapshot; face enhancement; face exposure; face matting setting; face, single inch photo; three snapshot methods: real-time snapshot, optimized snapshot, quality priority snapshot; face angle filter; optimization time setting |
| People Counting | Support the counting of enter number, leave number and pass number, and displaying and outputting yearly/monthly/daily reports. Support the counting of number in area, and 4 rules configuration. Count number of people or stay time and link alarm. Support queue management, and 4 rules configuration. Count number of people or stay time and link alarm. |
| Intelligent Search | Work together with Smart NVR to perform refine intelligent search, event extraction and merging to event videos. |
| Smart Event | |
| IVS | Abandoned object; missing object |
| Heat Map | Yes |



| Video | |
|--------------------------|---|
| Video Compression | H.265; H.264; H.264H; H.264B; MJPEG (Only supported by the sub stream) |
| Smart Codec | Smart H.265+/H.264+ |
| Video Frame Rate | Main stream: 3840x 2160 (1 fps–25/30 fps) Sub stream: D1 (1 fps–25/30 fps) Third stream: 1080p (1 fps–25/30 fps) *The values above are the max. frame rates of each stream; for multiple streams, the values will be subjected to the total encoding capacity. |
| Stream Capability | 3 streams |
| Resolution | 3840 x 2160; 2592 x 1944; 2688 x 1520; 2560 x 1440; 2304 x 1296; 1080p (1920 x 1080); 1.3M (1280 x 960); 720p (1280 x 720); D1 (704 x 576/704 x 480); VGA (640 x 480); CIF (352 x 288/352 x 240) |
| Bit Rate Control | CBR/VBR |
| Video Bit Rate | H.264: 32 kbps–8192 kbps H.265: 32 kbps–8192 kbps |
| Day/Night | Auto (ICR)/Color/B/W |
| BLC | Yes |
| HLC | Yes |
| WDR | 120 dB |
| White Balance | Auto; natural; street lamp; outdoor; manual; regional custom |
| Gain Control | Auto; manual |
| Noise Reduction | 3D NR |
| Motion Detection | OFF/ON (4 areas, rectangular) |
| Region of Interest (RoI) | Yes (4 areas) |
| Image Stabilization | Electronic Image Stabilization (EIS) |
| Defog | Yes |
| Image Rotation | 0°/90°/180°/270° (Support 90°/270° with 4M resolution and lower) |
| Mirror | Yes |
| Privacy Masking | 4 areas |
| Alarm | |
| Alarm Event | No SD card; SD card full; SD card error; network disconnection; IP conflict; illegal access; motion detection; video tampering; defocus detection; scene changing; intrusion; tripwire; abandoned object; missing object; fast moving; parking detection; loitering detection; people gathering; input abnormal detection; intensity change detection; people counting; face detection; people counting in area; stay alarm; people No. exception detection; queue management |
| Audio | |
| Built-in MIC | Yes |
| Audio Compression | PCM; G.711a; G.711Mu; G.726; G.723 |
| Certification | |
| Certifications | CE-LVD: EN62368-1 CE-EMC: Electromagnetic Compatibility Directive 2014/30/EU FCC: 47 CFR FCC Part 15, Subpart B UL/CUL: UL60950-1 CAN/CSA C22.2 No.60950-1-07 |
| Power | |
| Power Supply | 12 VDC (±30%)/PoE (802.3af)/ePoE |
| Power Consumption | Basic power consumption: 6.4W (12V DC); 6.9W (PoE) Max. power consumption (H.265 + max. stream + intelligent function + IR LED + focus): 7.1W (12V DC); 7.9W (PoE) |

| Network | |
|-----------------------|--|
| Network Port | RJ-45 (10/100 Base-T) |
| SDK and API | Yes |
| Cyber Security | Video encryption; configuration encryption; Digest; WSSE; account lockout; security logs; generation and importing of X.509 certification; HTTPS; trusted boot; trusted execution; trusted upgrade |
| Network Protocol | IPv4; IPv6; HTTP; HTTPS; TCP; UDP; ARP; RTP; RTSP; RTCP; RTMP; SMTP; FTP; SFTP; DHCP; DNS; DDNS; QoS; UPnP; NTP; Multicast; ICMP; IGMP; NFS; SAMBA; PPPoE; 802.1x; SNMP |
| Interoperability | ONVIF (Profile S/Profile G/Profile T); CGI; Milestone; P2P |
| User/Host | 20 (Total bandwidth: 80 M) |
| Storage | FTP; SFTP; Micro SD card (Support max. 256 G); NAS |
| Browser | IE: IE8 and later Chrome Firefox Safari: Safari 12 and later |
| Management Software | Smart PSS; DSS; DMSS |
| Mobile Client | iOS; Android |
| Port | |
| Audio Input | 1 channel (RCA port) |
| Audio Output | 1 channel (RCA port) |
| Alarm Input | 2 channels in: 5 mA 3V–5 VDC |
| Alarm Output | 1 channel out: 300 mA 12 VDC |
| Environment | |
| Operating Temperature | –30 °C to +60 °C (–22 °F to +140 °F)/Less than 95% RH |
| Storage Temperature | –30 °C to +60 °C (–22 °F to +140 °F) |
| Protection | IP67, IK10 |
| Structure | |
| Casing | Metal, plastic |
| Product Dimensions | 273.2 mm × 95.0 mm × 95.0 mm (10.76" × 3.74" × 3.74") |
| Net Weight | 1.11 kg (2.44 lb) |
| Gross Weight | 1.51 kg (3.33 lb) |

DORI Distance

| | Lens | Detect | Observe | Recognize | Identify |
|---------------|------|---------------------|----------------------|----------------------|---------------------|
| DORI Distance | W | 86 m (282.2 ft) | 34.4 m (112.9 ft) | 17.2 m (56.4 ft) | 8.6 m (28.2 ft) |
| | T | 196 m (643.0 ft) | 78.4 m (257.2 ft) | 39.2 m (128.6 ft) | 19.6 m (64.3 ft) |
| | | | | | |