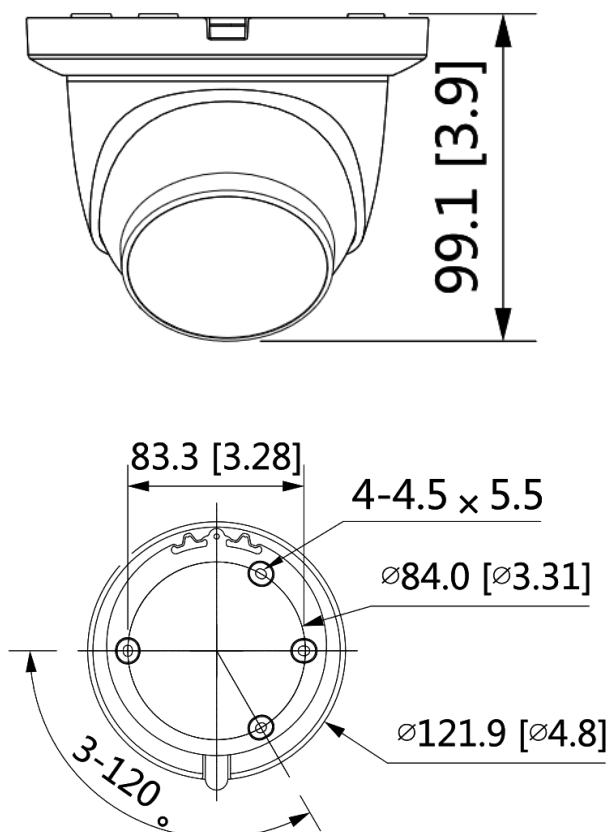




Telecamera Dome

Telecamera Dome HDCVI STARLIGHT da 5Mp a 25fps, da esterno/interno IP67, sensore CMOS progressivo 1/2.7", ICR meccanico, ottica 2.8mm, luminosità 0.001Lux/F1.6 (0Lux IR on), led IR portata fino a 60mt, microfono incorporato, 2-3D, WDR, 1 uscita video, OSD su cavo coassiale (HDCVI o AHD o TVI o CVBS), alimentazione 12Vdc <5.9W. (Φ121.9mm×99.1mm).

PIXVIDEO



CARATTERISTICHE TECNICHE

Technical Specification	
Model	HDF501S
Camera	
Image Sensor	1/2.7inch CMOS
Max. Resolution	2880 (H) × 1620 (V)
Pixel	5 MP
Scanning System	Progressive
Electronic Shutter Speed	PAL: 1/3 s–1/100,000 s NTSC: 1/4 s–1/100,000 s
S/N Ratio	> 65 dB
Min. Illumination	0.001 Lux/F1.6, 30IRE, 0Lux IR on
Illumination Distance	60 m (196.9 ft)
Illuminator On/Off Control	Auto / Manual
Illuminator Number	2
Pan/Tilt/Rotation Range	Pan: 0°–360°
	Tilt: 0°–78°
	Rotation: 0°–360°
Lens	
Lens Type	Fixed-focal
Mount Type	M12
Focal Length	2.8 mm; 3.6 mm; 6 mm
Max. Aperture	F1.6
Field of View	2.8 mm: 132° × 111° × 58°
	3.6 mm: 109° × 92° × 48°
	6 mm: 65° × 57° × 30° (diagonal × horizontal × vertical)
Iris Type	Fixed iris
Close Focus Distance	2.8 mm: 0.9 m (3.0 ft)
	3.6 mm: 1.6 m (5.2 ft)
	6 mm: 3.1 m (10.2 ft)
Smart Event	
Frame Rate	CVI: PAL: 5M@25 fps; 4M@25 fps; 1080P@25 fps NTSC: 5M@25 fps; 4M@30 fps; 1080P@30 fps AHD: PAL: 4M@25 fps; NTSC: 4M@30 fps TVI: PAL: 4M@25 fps; NTSC: 4M@30 fps CVBS: PAL: 960H; NTSC: 960H
	5M (2880 × 1620); 4M (2560 × 1440); 1080P (1920 × 1080); 960H (960 × 576/ 960 × 480)
	Auto switch by ICR
	BLC/HLC/WDR/HLC-Pro
	120 dB
	Auto / Manual
	Auto / Manual
	2D NR/3D NR
	Yes
	Off/On
Off/On (8 areas, rectangle)	

Certifications	
Certifications	CE (EN55032:2015, EN 61000-3-2:2014, EN 61000-3-3:2013, EN55024:2010+A1:2015, EN 55035:2017, EN50130-4:2011+A1:2014, EN 62368-1:2014+A11:2017) FCC (CFR 47 FCC Part 15 subpartB, ANSI C63.4-2014) UL (UL60950-1+CAN/CSA C22.2 No.60950-1)
Port	
Audio Interface	One channel built-in mic
Video Output	Video output choices of CVI/TVI/AHD/CVBS by one BNC port (DIP Switch)
Power	
Power Supply	DC 12V ±30%
Power Consumption	Max 5.9W (12V DC, IR on)
Environment	
Operating Temperature	-40°C to +60°C (-40°F to +140°F); < 95% (non-condensation)
Storage Temperature	-40°C to +60°C (-40°F to +140°F); < 95% (non-condensation)
Protection Grade	IP67
Structure	
Casing	Metal dome + metal cover + plastic decorative ring
Camera Dimensions	φ121.9 mm × 99.1 mm (φ4.8" × 3.9")
Net Weight	0.43 kg (0.95lb)
Gross Weight	0.6 kg (1.32lb)

DORI Distance

DORI Distance	Lens	Detect	Observe	Recognize	Identify
	2.8 mm	63.6 m (208.7 ft)	25.4 m (83.3 ft)	12.7 m (41.7 ft)	6.4 m (21.0 ft)
3.6 mm	80 m (262.5 ft)	32 m (105.0 ft)	16 m (52.5 ft)	8 m (26.2 ft)	
6 mm	120 m (393.7 ft)	48 m (157.5 ft)	24 m (78.7 ft)	12 m (39.4 ft)	