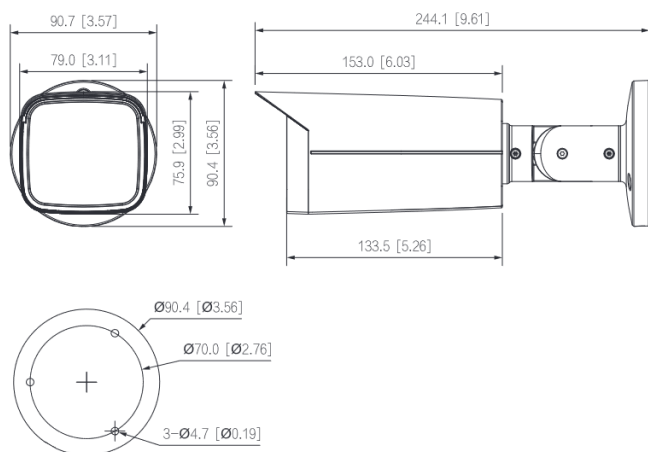




## Telecamera bullett

Telecamera Bullet HDCVI STARLIGHT, da esterno/interno IP67 con sensore progressivo 1/2.8" CMOS da 2Mp, risoluzione 1.080p con 25Fps, ICR meccanico, ottica 2.7~13.5mm motorizzata, luminosità 0.001Lux f1.5 (0 Lux con IR on), led IR portata fino a 80mt, 1 ingresso audio con microfono incorporato, 2/3D, WDR, 1 uscita video (HDCVI o AHD o TVI o CVBS), OSD su cavo coassiale, alimentazione 12Vdc <9.4W, staffa di montaggio in dotazione. (244.1mmx90.4mmx90.4mm)

# PIXVIDEO



## CARATTERISTICHE TECNICHE

### Technical Specification

Model	HBV208SM
<b>Camera</b>	
Image Sensor	2MP CMOS
Max. Resolution	1920 (H) × 1080 (V)
Pixel	2MP
Scanning System	Progressive
Electronic Shutter Speed	PAL: 1/25 s–1/100000 s NTSC: 1/30 s–1/100000 s
S/N Ratio	> 65 dB
Min. Illumination	0.001Lux/F1.6, 30IRE, 0Lux IR on
Illumination Distance	80 m (262.5 ft)
Illuminator On/Off Control	Auto
Illuminator Number	4 (IR light)
Pan/Tilt/Rotation Range	Pan: 0°–360°
	Tilt: 0°–90°
	Rotation: 0°–360°
<b>Lens</b>	
Lens Type	Motorized Vari-focal
Auto Focus	Yes
Mount Type	φ14
Focal Length	2.7 mm-13.5mm
Max. Aperture	F1.5
Field of View	Diagonal: 131°~35°
	Horizontal: 108°~30°
	Vertical: 56°~17°
Iris Type	Fixed
Close Focus Distance	0.8 m (2.6 ft)
<b>Video</b>	
Frame Rate	CVI: PAL:1080P@25fps; NTSC:1080P@30fps;
	AHD: PAL:1080P@25fps; NTSC:1080P@30fps;
	TVI: PAL:1080P@25fps; NTSC:1080P@30fps;
	CVBS: PAL:960×576H; NTSC:960×480H;
	1080P (1920 × 1080); 960H (960 × 576/960 × 480)
Resolution	1080P (1920 × 1080); 960H (960 × 576/960 × 480)
Day/Night	Auto switch by ICR
BLC	BLC/WDR/HLC
WDR	130dB
White Balance	Auto/Area WB
Gain Control	Auto; manual
Noise Reduction	3D NR
Smart IR	Yes
Mirror	Yes
Privacy Masking	Off/On (8 area, rectangle)

<b>Certifications</b>	
Certifications	CE (EN55032, EN55024, EN50130-4) FCC (CFR 47 FCC Part 15 subpartB, ANSI C63.4-2014) UL (UL60950-1+CAN/CSA C22.2 No.60950-1)
<b>Port</b>	
Video Output	Video output choices of CVI/TVI/AHD/CVBS by one BNC port (DIP Switch)
Audio Input	One channel built-in mic
<b>Power</b>	
Power Supply	12V ±30% DC
Power Consumption	Max 9.4W (12V DC, IR on)
<b>Environment</b>	
Operating Temperature	-30°C~+60°C (-22°F to 140°F); <95% (non-condensation)
Storage Temperature	-30°C~+60°C (-22°F to 140°F); <95% (non-condensation)
Protection Grade	IP67
<b>Structure</b>	
Casing	Metal throughout the whole casing
Camera Dimensions	244.1 mm × 90.4 mm × 90.4 mm (9.61" × 3.56" × 3.56")
Net Weight	0.79 kg (1.7lb)
Gross Weight	1.07 kg (2.4lb)

### DORI Distance

DORI Distance	2.7 mm: D: 44.1 m (144.7 ft); O: 17.6 m (57.7 ft); R: 8.8 m (28.9 ft); I: 4.4 m (14.4 ft) 13.5 mm: D: 144.8 m (475.1 ft); O: 57.9 m (190 ft); R: 28.9 m (94.8 ft); I: 14.8 m (48.6 ft)
---------------	---