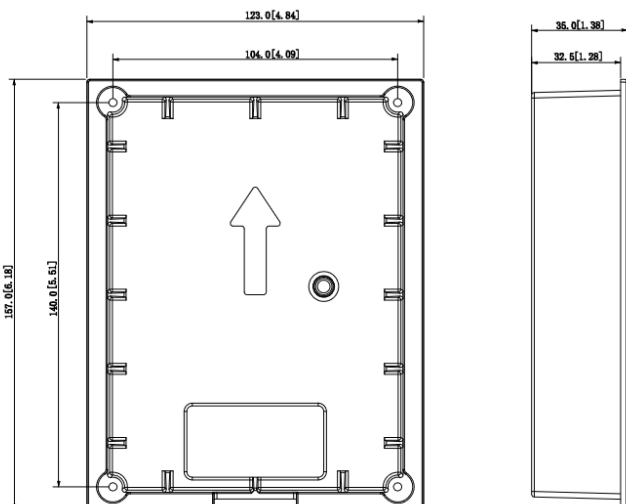
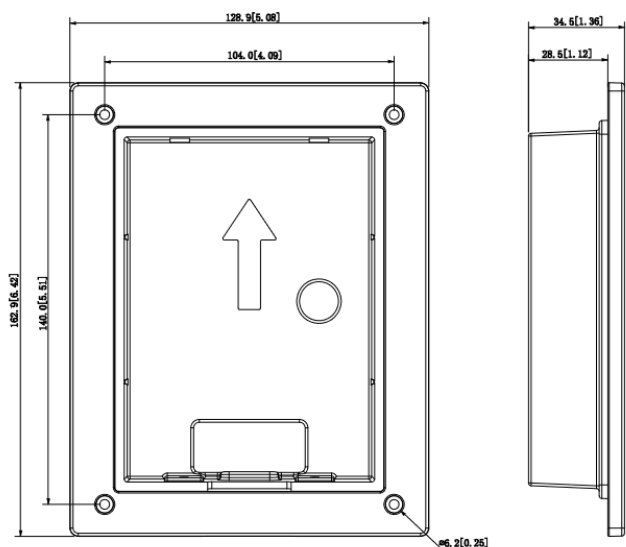




## Scatola per incasso

Scatola per montaggio a incasso per postazione esterna, in alluminio (per VEP013AL). (128.9x162.9x35.0mm)

**PIXVIDEO**

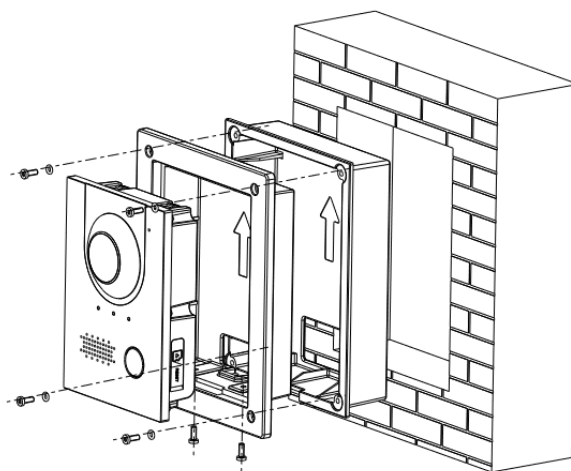


## CARATTERISTICHE TECNICHE

### Technical Specification

Model	VAM013S
Regular	
Material	ADC12
Dimensions (Front)	128.9mm×162.9mm×34.5mm (5.08"×6.42"×1.36")
Dimensions (Rear)	123.0mm×157.0mm×35.0mm (4.84"×6.18"×1.38")

## Installation



- Step1** Install the mounting box rear cover in the wall.
- Step2** Install VTO on the mounting box front cover.
- Step3** Fix the VTO to the mounting box front cover by screwing two M3×8 screws into the VTO from the bottom of the mounting box front cover.
- Step4** Put the mounting box front cover (with VTO) into the mounting box rear cover.
- Step5** Put waterproof rings to the M3×8 screws.
- Step6** Screw four M3×8 screws (with waterproof ring) into the mounting box front cover.