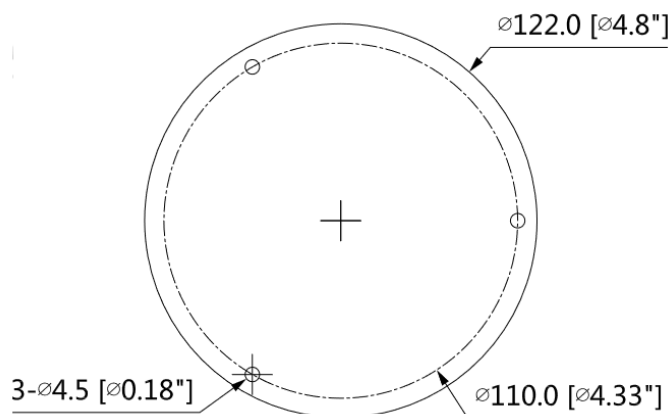
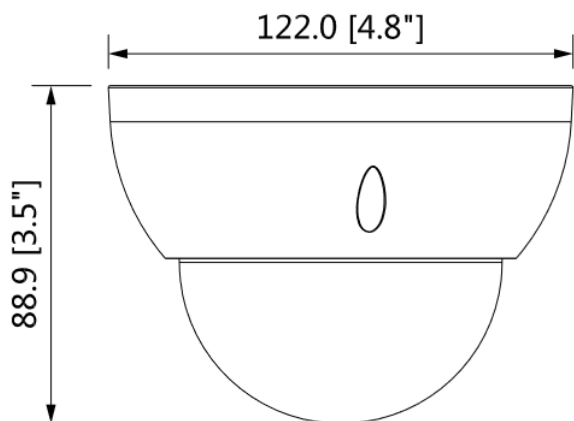




Telecamera Dome

Telecamera Dome HDCVI STARLIGHT antivandalo IK10 da esterno/interno IP67, sensore progressivo 1/2.8" CMOS da 2Mp, risoluzione 1.080p con 25Fps, ICR meccanico, ottica motorizzata 2.7~13,5 mm, luminosità 0.004 Lux f 1.6 (0 Lux con IR on), led IR portata fino a 30 mt, 1 ingresso audio, 2-3D, WDR, 1 uscita video con regolazione su 3 assi (HDCVI o AHD o TVI o CVBS), OSD su cavo coassiale, alimentazione 12Vdc, <4,7W. (Ø 122.0x88.9 mm)

PIXVIDEO



CARATTERISTICHE TECNICHE

Technical Specification

| | |
|------------------------------|---|
| Model | HDV202SM |
| Camera | |
| Image Sensor | 1/2.8" CMOS |
| Effective Pixels | 1920(H)×1080(V), 2MP |
| Scanning System | Progressive |
| Electronic Shutter Speed | PAL: 1/4s~1/100000s NTSC: 1/3s~1/100000s |
| Minimum Illumination | 0.004Lux/F1.6, 30IRE, 0Lux IR on |
| S/N Ratio | More than 65dB |
| IR Distance | Up to 30m (98feet) |
| IR On/Off Control | Auto / Manual |
| IR LEDs | 2 |
| Lens | |
| Lens Type | Motorized lens / Fixed iris |
| Mount Type | Board-in |
| Focal Length | 2.7-13.5mm |
| Max Aperture | F1.6 |
| Angle of View | H: 108.7°~28.7° |
| Focus Control | Auto / Manual |
| Close Focus Distance | 200mm 7.87" |
| Pan / Tilt / Rotation | |
| Pan/Tilt/Rotation | Pan: 0° ~ 355° Tilt: 0° ~ 75° Rotation: 0° ~ 355° |
| Video | |
| Resolution | 1080P (1920×1080) |
| Frame Rate | 25/30fps@1080P, 25/30/50/60fps@720P |
| Video Output | 1-channel BNC high-definition video output / CVBS video output (DIP switch) |
| Day/Night | Auto (ICR) / Manual |
| OSD Menu | Multi-language |
| BLC Mode | BLC / HLC / WDR |
| WDR | 120dB |
| Gain Control | AGC |
| Noise Reduction | 2D / 3D |
| White Balance | Auto / Manual |
| Smart IR | Auto / Manual |
| Certifications | |
| Certifications | CE (EN55032, EN55024, EN50130-4) FCC (CFR 47 FCC Part 15 subpartB, ANSI C63.4-2014) UL (UL60950-1+CAN/CSA C22.2 No.60950-1) |
| Interface | |
| Audio Interface | 1 |
| Electrical | |
| Power Supply | 12V DC ±30% |
| Power Consumption | Max. 4.7W (12V DC, IR on) |
| Environmental | |
| Operating Conditions | -30°C ~ +60°C (-22°F ~ +140°F) Less than 95% RH |
| Storage Conditions | -30°C ~ +60°C (-22°F ~ +140°F) Less than 95% RH |
| Ingress Protection & Vandal | IP67 & IK10 |

| Construction | |
|--------------|----------------------------|
| Casing | Aluminum |
| Dimensions | Φ122mm×88.9mm (Φ4.8"×3.5") |
| Net Weight | 0.39kg (0.85lb) |
| Gross Weight | 0.49kg (1.08lb) |

DORI Distance

*Note: The DORI distance is a "general proximity" of distance which makes it easy to pinpoint the right camera for your needs. The DORI distance is calculated based on sensor specification and lab test result according to EN 62676-4 which defines the criteria for Detect, Observe, Recognize and Identify respectively.

| | DORI Definition | Distance | |
|------------------|-------------------|------------|-------------|
| | | Wide | Tele |
| Detect | 25px/m (8px/ft) | 44m(144ft) | 153m(502ft) |
| Observe | 63px/m (19px/ft) | 18m(59ft) | 61m(200ft) |
| Recognize | 125px/m (38px/ft) | 9m(30ft) | 31m(102ft) |
| Identify | 250px/m (76px/ft) | 5m(16ft) | 15m(49ft) |