

## CARATTERISTICHE TECNICHE

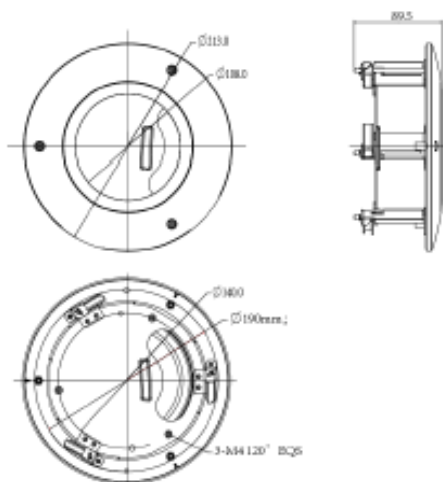


Model	ACM224
<b>General</b>	
Material	SECC & PC
Dimension (W x H x D)	Φ211.0mm x 88.0mm
Pipe Thread	G3/4"
Operating Temperature	-40°C ~60°C
Humidity	0~90% RH
Load Bearing	1.5Kg
Weight	0.61Kg
Applicable Model	Please see "Accessory Selection"

Adattatore da controsoffitto per montaggio telecamera (Φ211.0mm x 88.0mm)

## PIXVIDEO

## Dimensions (mm)



## Application

